

LAMPHEADS

110 V VERSION



PARTS LIST FOR SERVICING

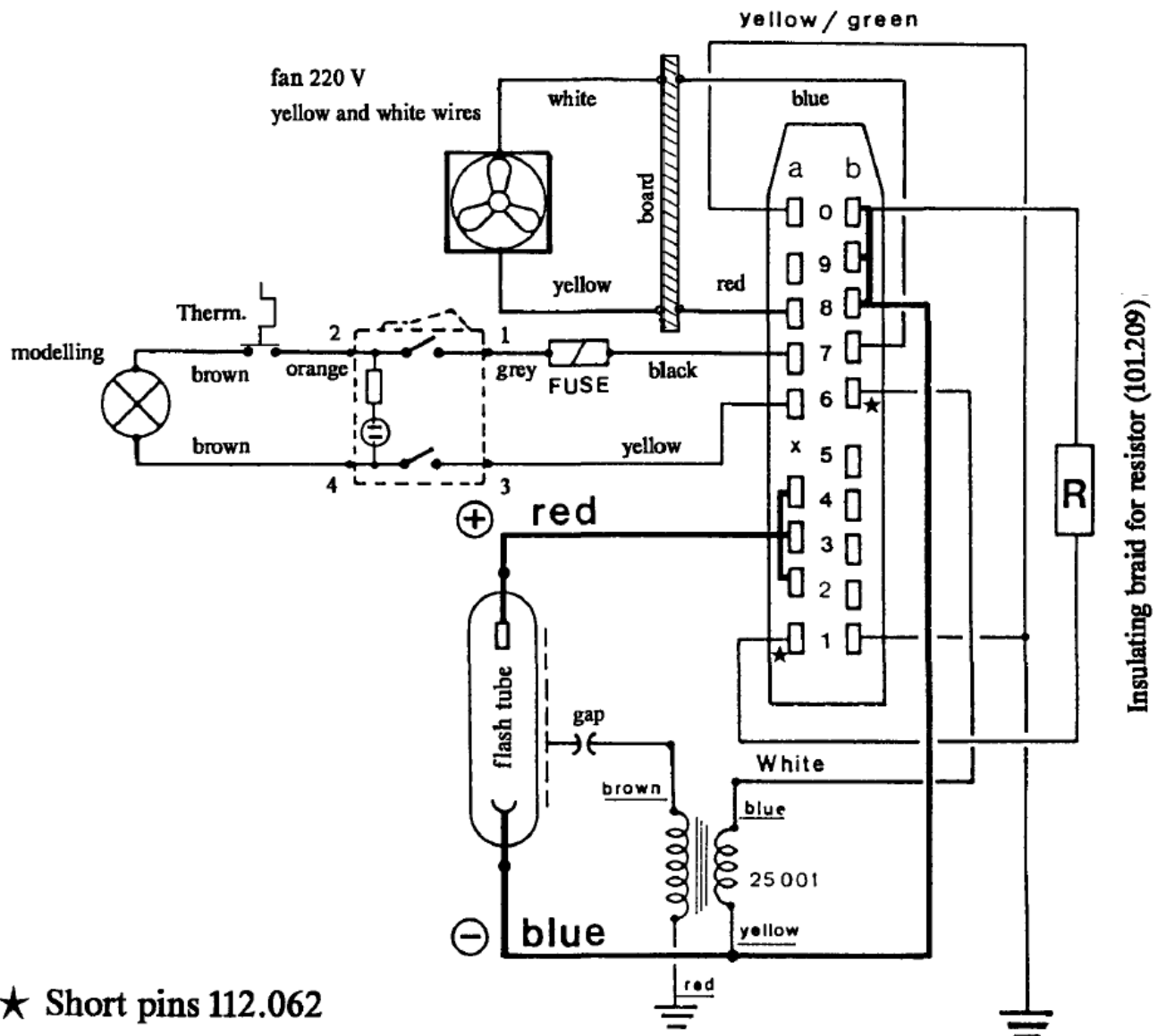
elinca sa

Av. de Longemalle 11
CH 1020 RENENS
Switzerland

REV 10.02

DESCRIPTION 220 V VERSION	S1500N	S3000N	A3000N	X6000N	Order N° All mod.
Lamphead complete	20172	20176	20168	20182	
Metal chassis	*	*	*	*	201.654
Fixe part for tilthead	*	*	*	*	201.661
Mobile part for new tilthead with screw	*	*	*	*	201.656
Plastic level tilthead	*	*	*	*	14492
Locking universal metal plate for umbrella	*	*	*	*	201.295
Housing parts left + right	*	*	*	204.130X	204.130
Label for housing	205.108	205.110	205.106	205.138	
ScrewM3x8	*	*	*	*	211.852
Screw M3x50 (handle)	*	*	*	*	211.853
Umbrella tube	*	*	*	*	209.051
Plastic ring for umbrella tube	*	*	*	*	14594
Set front ring + locking device	*	*	*	*	620.204
Front locking device	*	*	*	*	204.131
Front nng bayonet.	*	*	*	*	204.090
Srew fixing M3x25	*	*	*	*	211.849
Locking spring	*	*	*	*	212.203
Inner reflector with lamp holder	620.206	620.206	620.205	620.209	
Lamp holder GX 6,35	*	*	*	*	112.011
Screw for holder M3x12	*	*	*	"	211.106
Washer	*	*	*	*	210.116
Round plug for terminal wire (male to lamp holder)	*	*	*	*	112.085
Round plug for terminal wire (female to switch)	*	*	*	*	112.084
Receptacle flat connect- 6,3xO,8 (female to thermal switch)	*	*	*	*	110.033
Fixing part switch / fuse holder	*	*	*	*	201.655
Screw 3,5x9,5	*	*	*	*	211.850
Holder fuse	*	*	*	*	14651
Switch 12A 110V	*	*	*	*	103.062
Fan for 110 V metal (NEW TYPE)	*	*	*	*	107.021
Screw fan fixing M3x45	*	*	*	*	211.862
Print with elements	610.302	610.302	610.301	610.305	
Print without elements	*	*	*	*	14147
Terminal for flashtube (510.020) (pack of 6)	*	*	*	*	14209
Nut M5 (203.010) (pack of 24)	*	*	*	*	14210
'frigger nickel wire diam.. 0,3 (101.064) (pack of 2m length)	*	*	*	*	14212
Coil trigger	*	*	*	*	25001
Protective gap (Eclateur)	*	*	*	*	106.035
Thermal switch 110/90° C	*	*	*	*	106.037
Lampcord complete with connector	501.017	501.018	501.015	501.021	
Connector 20 pM complete (short pin 112.062)	*	*	*	*	14043
Screw 3,5x9,5	*	*	*	*	211.850
Connector 20 pM	*	*	*	*	22046
Connector housing R + L parts	*	*	*	*	110.053
Cable 8 conductors	*	*	*	*	21.003
Coding resistance IW 1%	121.101	121.332	121.682	121.332	
Insulating braid for resistor (101.209) (pack of 1 meter)	*	*	*	*	14211
Modelling halogene lamp	300W 23030	300W 23030	300W 23030	650W 23027	
Flash tube	24034	24045	24053	24069	
Insulating tube (glass) for trigger wire	209.082	209.082	209.082	209.083	
Security pyrex dome (clear 24925) (matt 24926) (yellow 24927)					
Fitting clips (pack of 4)	*	*	*	*	620.208
Protective hood	*	*	*	*	26124

SCHEMATIC DIAGRAM FOR ALL MODELS



Lampheads Lampenköpfe Torche adaptable	Lamphead equivalents Verwendbare Lampenköpfe mit Micro Torches compatibles avec Micro		Resistance values R = wert Valeur de R All 0,5W 1%
S and R with 24006	S2 and R2	S2000-R2000-S1500N	100E
	A2		220E
T	T4 and R4	S4000 - R4000	470E
A and old R with 24048	A4 and Box lite	Box 3000/4000	820E
X	X8	X8000	1,8K
	Digital SE	S3000 - X6000N - Spot lite	3,3K
		A3000	6,8K

CLASSIC LAMPHEADS

110 V VERSION



PARTS LIST FOR SERVICING

elinca sa

Av. de Longemalle 11
CH 1020 RENENS
Switzerland

REV 10.02

RECTANGULAR LAMPHEADS

110 V VERSION



PARTS LIST FOR SERVICING

elinca sa

Av. de Longemalle 11
CH 1020 RENENS
Switzerland

REV 11.94

BOX LITE

110 V VERSION



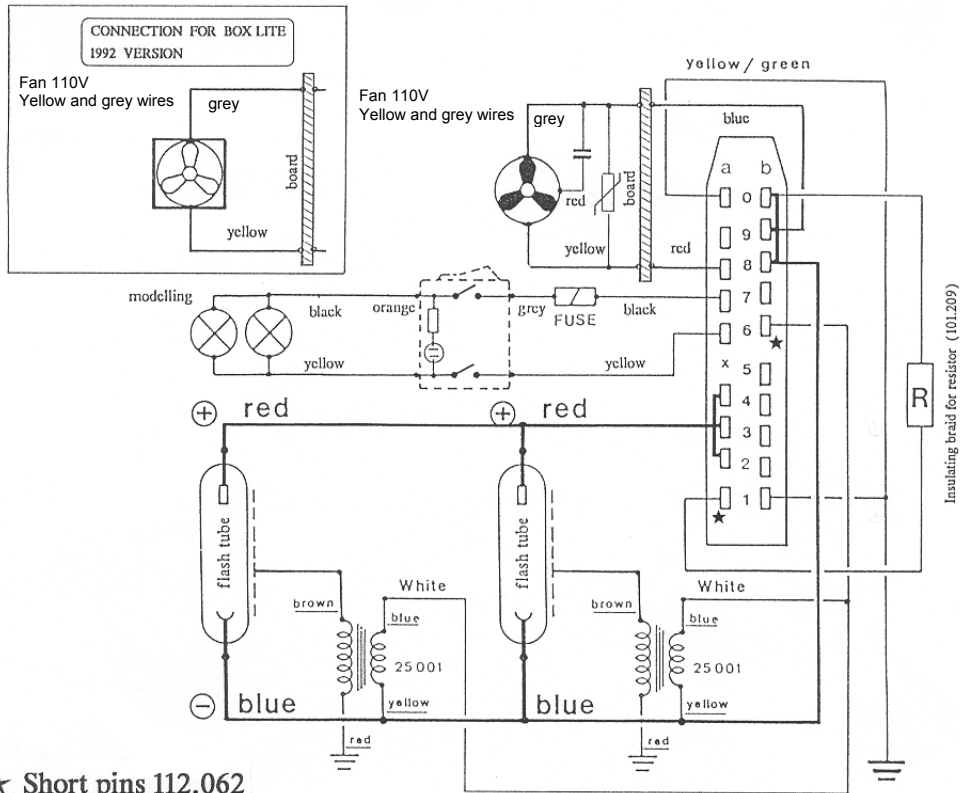
PARTS LIST FOR SERVICING

elinca sa

Av. de Longemalle 11
CH 1020 RENENS
Switzerland

REV 11.94

Diagram connection 110 V VERSION



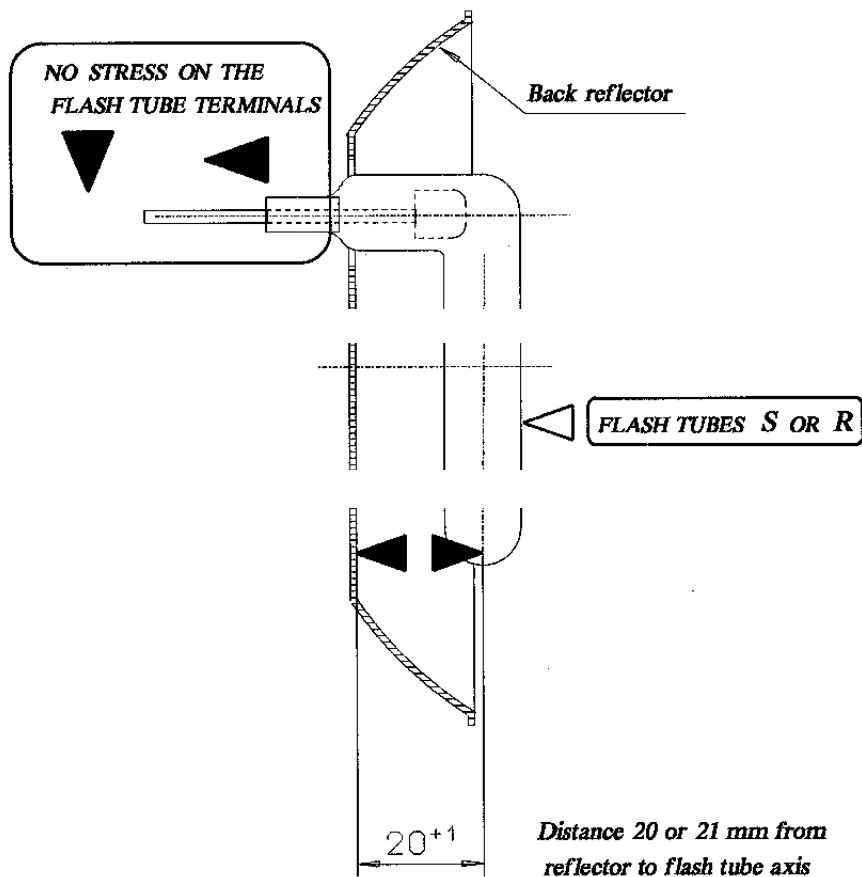
Parts	Order
Trigger coil	25001
Modelling lamps (2 x 100 W)	23006
Lamp holder E 27	112.017
Insulating for E 27 socket	112.025
Fuse holder	14651
Fuse (2.5AT/250V)	19032
Flash tube	24052
Fan 110V (Round first version)	107.012
Capacitor 2,2 uF 250V (only for 107.012)	104.058
Varistor 150V (only for 107.012)	111.059
Fan 110V (Square new version 1992)	107.016
Switch 12A 110V	103.062
Opal glass plate	402.001
Transparent security plate	402.002
Lampcord complete with connector	21064
Connector 20 pM with housing complete	14043

For first version : metallic parts not available

INFORMATION

FLASH TUBE POSITION FOR ALL LAMPHEADS AND COMPACTS

*STANDARD POSITION FROM NOW ON FOR
MAXIMUM EFFICIENCY WITH LATEST REFLECTOR 21 cm
(FOR PYREX DOME)*



RE : AFTER SALES SERVICE
BETRIFFT : REPARATURDIENST
CONCERNE : SERVICE APRES-VENTES

LAMPENKÖPFE FÜR "MICRO" GENERATOREN

Seit Photokina 1986 wurden alle Lampenköpfe mit einem Widerstand (R) versehen. Dieser meldet den neuen "MICRO" Generatoren automatisch die maximale Leistung die der jeweilige Lampenkopf aufnehmen kann. Nachfolgende Liste enthält die verschiedenen Ausführungen verwendbar an "MICRO" Generatoren ohne jegliche Anpassung:

Version 1986

A2, A4, R2, R4, S2, T4, X8

Version 1988

A3000, R2000, R4000, S2000, S3000,
S4000, X8000, Box 4000,

Ältere anpassbare Lampenköpfe (ab Dezember 1979)

Lampenköpfe die vor Photokina 1986 gebaut wurden, blockieren die Ausgangsleistung des "MICRO" Generators und verhindern die Funktion der Röhre. Sie können aber durch Einbau des Widerstands angepasst werden (siehe Schema auf der Rückseite).

A, R mit Röhre 24006/2000 Ws

R mit Röhre 24048/4000 Ws

S, T, X

NB: Vor 1980 gebaute Lampenköpfe dürfen nicht an "MICRO" Generatoren angeschlossen werden.

elinca sa

Av. de Longemalle 11
CH 1020 RENENS
Switzerland

RE : AFTER SALES SERVICE
BETRIFFT : REPARATURDIENST
CONCERNE : SERVICE APRES-VENTES

Seules les torches selon la liste ci-dessous et produites dès la Photokina 1986, fonctionnent sur les générateurs de la série "MICRO". Ces torches sont pourvues d'une résistance (R) de reconnaissance, par le microprocesseur du générateur, la valeur de la résistance dépend du type de la torche.

Remarque : La connection d'une ancienne torche sans résistance à un générateur "MICRO" bloque la sortie et rend la torche inopérante

Torches utilisables sans modification sur "MICRO"

Version 1986

A2, A4, R2, R4, 82, T4, X8

Version 1988

A3000, R2000, R4000, S2000, S3000,
S4000, X8000, Box 4000

Lors d'un service au client, contrôler systématiquement la conformité, selon le tableau des valeurs de résistance.

Versions antérieures adaptables

Modèles dès décembre 1979

A, R avec tube 24006/2000 Ws

R avec tube 24048/4000 Ws

S, T, X

elinca sa

Av. de Longemalle 11
CH 1020 RENENS
Switzerland

RE : AFTER SALES SERVICE
BETRIFFT : REPARATURDIENST
CONCERNE : SERVICE APRES-VENTES

LAMPHEADS FOR THE "MICRO" GENERATORS

From Photokina 1986, all lampheads for generators have been fitted with an auto-signalling resistance to indicate to the microprocessor in the new "MICRO" generators the maximum power acceptable to the lamphead. These lampheads are listed below as version 1986 and version 1988.

Version 1986

A2, A4, R2, R4, 82, T4, X8

Version 1988

A3000, R2000, R4000, S2000, S3000,
S4000, X8000, Box 4000

Lampheads manufactured before Photokina 1986 will signal "malfunction" to the Microprocessor. These models, listed below, may be adapted by fitting the appropriate resistance into the connector (see overleaf).

A, R with tube 24006/2000 Ws
R with tube 24048/4000 Ws
S, T, X

N.B.: No lampheads manufactured before 1980 may be used with "MICRO" generators.

elinca sa

Av. de Longemalle 11
CH 1020 RENENS
Switzerland