

LAMPHEADS

220 V VERSION



PARTS LIST FOR SERVICING

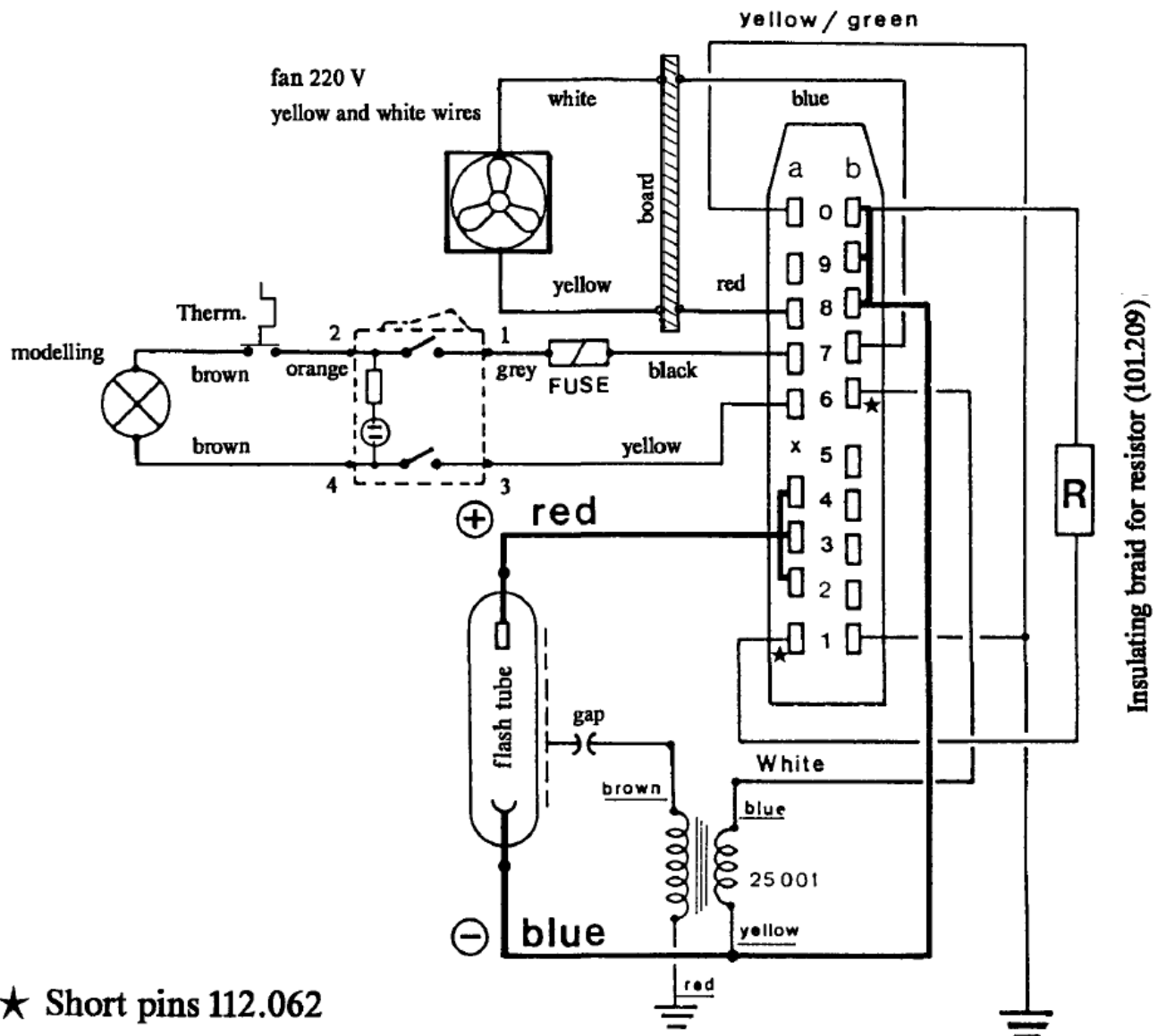
elinca sa

Av. de Longemalle 11
CH 1020 RENENS
Switzerland

REV 10.02

DESCRIPTION 220 V VERSION	S1500N	S3000N	A3000N	X6000N	Order N° All mod.
Lamphead complete	20172	20176	20168	20182	
Metal chassis	*	*	*	*	201.654
Fixe part for tilthead	*	*	*	*	201.661
Mobile part for new tilthead with screw	*	*	*	*	201.656
Plastic level tilthead	*	*	*	*	14492
Locking universal metal plate for umbrella	*	*	*	*	201.295
Housing parts left + right	*	*	*	204.130X	204.130
Label for housing	205.108	205.110	205.106	205.138	
ScrewM3x8	*	*	*	*	211.852
Screw M3x50 (handle)	*	*	*	*	211.853
Umbrella tube	*	*	*	*	209.051
Plastic ring for umbrella tube	*	*	*	*	14594
Set front ring + locking device	*	*	*	*	620.204
Front locking device	*	*	*	*	204.131
Front nng bayonet.	*	*	*	*	204.090
Srew fixing M3x25	*	*	*	*	211.849
Locking spring	*	*	*	*	212.203
Inner reflector with lamp holder	620.206	620.206	620.205	620.209	
Lamp holder GX 6,35	*	*	*	*	112.011
Screw for holder M3x12	*	*	*	"	211.106
Washer	*	*	*	*	210.116
Round plug for terminal wire (male to lamp holder)	*	*	*	*	112.085
Round plug for terminal wire (female to switch)	*	*	*	*	112.084
Receptacle flat connect- 6,3xO,8 (female to thermal switch)	*	*	*	*	110.033
Fixing part switch / fuse holder	*	*	*	*	201.655
Screw 3,5x9,5	*	*	*	*	211.850
Holder fuse	*	*	*	*	14651
Switch 12A 250V	*	*	*	*	103.061
Fan for 230 V metal (NEW TYPE)	*	*	*	*	107.020
Screw fan fixing M3x45	*	*	*	*	211.862
Print with elements	610.302	610.302	610.301	610.305	
Print without elements	*	*	*	*	14147
Terminal for flashtube (510.020) (pack of 6)	*	*	*	*	14209
Nut M5 (203.010) (pack of 24)	*	*	*	*	14210
'frigger nickel wire diam.. 0,3 (101.064) (pack of 2m length)	*	*	*	*	14212
Coil trigger	*	*	*	*	25001
Protective gap (Eclateur)	*	*	*	*	106.035
Thermal switch 110/90° C	*	*	*	*	106.037
Lampcord complete with connector	501.017	501.018	501.015	501.021	
Connector 20 pM complete (short pin 112.062)	*	*	*	*	14043
Screw 3,5x9,5	*	*	*	*	211.850
Connector 20 pM	*	*	*	*	22046
Connector housing R + L parts	*	*	*	*	110.053
Cable 8 conductors	*	*	*	*	21.003
Coding resistance IW 1%	121.101	121.332	121.682	121.332	
Insulating braid for resistor (101.209) (pack of 1 meter)	*	*	*	*	14211
Modelling halogene lamp	300W 23022	300W 23022	300W 23022	650W 23005	
Flash tube	24034	24045	24053	24069	
Insulating tube (glass) for trigger wire	209.082	209.082	209.082	209.083	
Security pyrex dome (clear 24925) (matt 24926) (yellow 24927)					
Fitting clips (pack of 4)	*	*	*	*	620.208
Protective hood	*	*	*	*	26124

SCHEMATIC DIAGRAM FOR ALL MODELS



★ Short pins 112.062

Lampheads Lampenköpfe Torche adaptable	Lamphead equivalents Verwendbare Lampenköpfe mit Micro Torches compatibles avec Micro		Resistance values R = wert Valeur de R All 0,5W 1%
S and R with 24006	S2 and R2	S2000-R2000-S1500N	100E
	A2		220E
T	T4 and R4	S4000 - R4000	470E
A and old R with 24048	A4 and Box lite	Box 3000/4000	820E
X	X8	X8000	1,8K
	Digital SE	S3000 - X6000N - Spot lite	3,3K
		A3000	6,8K

CLASSIC LAMPHEADS

220 V VERSION



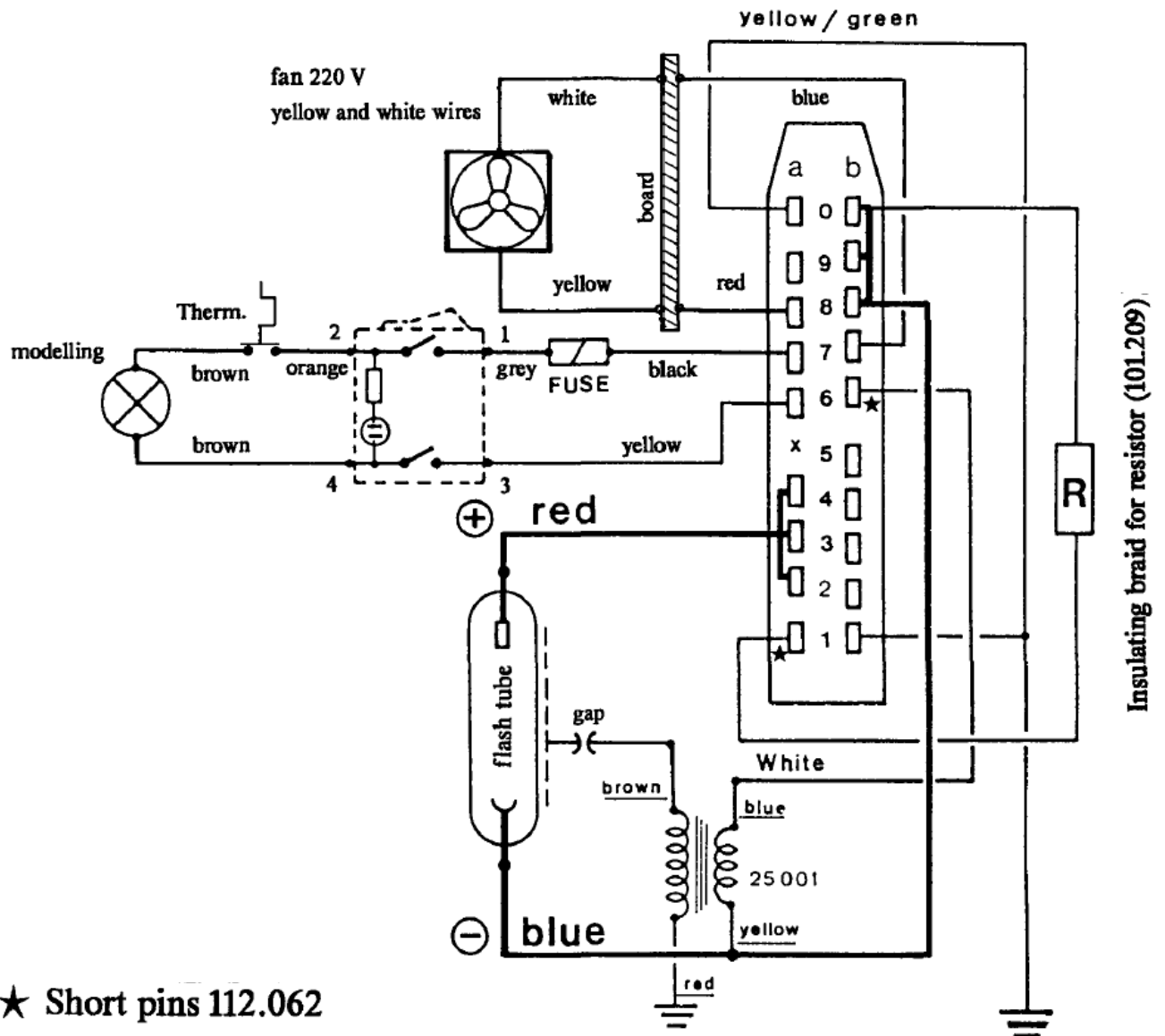
PARTS LIST FOR SERVICING

elinca sa

Av. de Longemalle 11
CH 1020 RENENS
Switzerland

REV 10.02

SCHEMATIC DIAGRAM FOR ALL MODELS



★ Short pins 112.062

Lampheads Lampenköpfe Torche adaptable	Lamphead equivalents Verwendbare Lampenköpfe mit Micro Torches compatibles avec Micro		Resistance values R = wert Valeurde R All 0,5W 1% max
S and R with 24006	S2 and R2	S2000-R2000-S1500N	100E
	A2		220E
T	T4 and R4	S4000 - R4000	470E
A and old R with 24048	A4 and Box lite	Box 3000/4000	820E
X	X8	X8000	1,8K
	Digital SE	S3000 - X6000N - Spot lite	3,3K
		A3000	6,8K

RECTANGULAR LAMPHEADS

220 V VERSION



PARTS LIST FOR SERVICING

elinca sa

Av. de Longemalle 11
CH 1020 RENENS
Switzerland

REV 11.94

BOX LITE

220 V VERSION



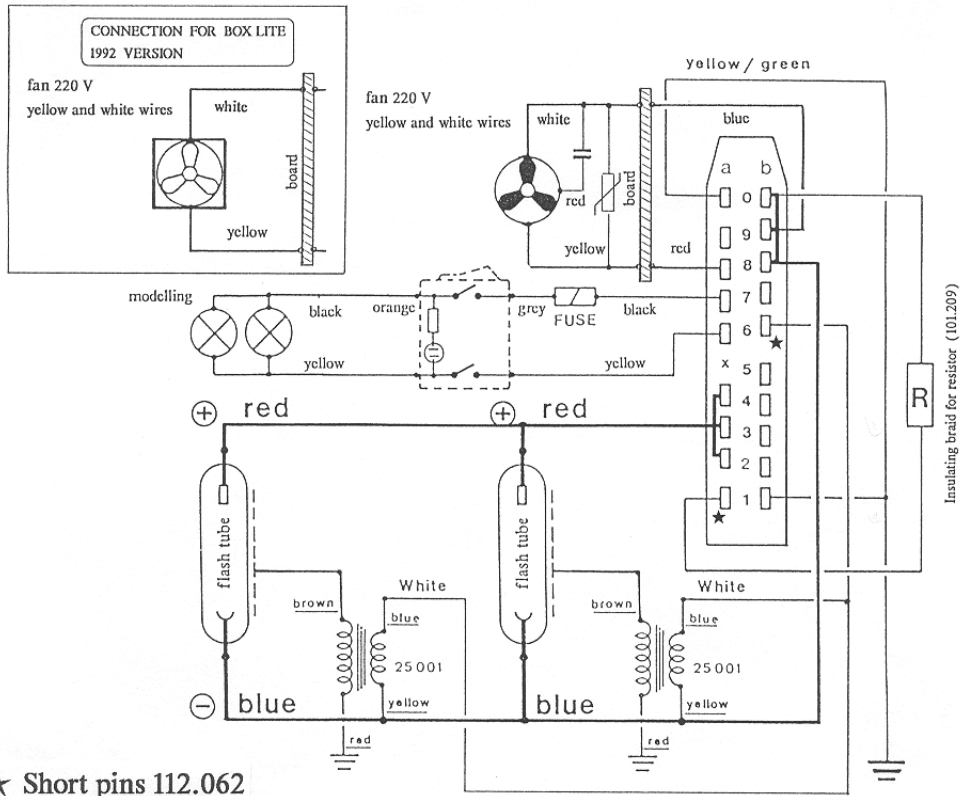
PARTS LIST FOR SERVICING

elinca sa

Av. de Longemalle 11
CH 1020 RENENS
Switzerland

REV 11.94

Diagram connection 220 V VERSION



★ Short pins 112.062

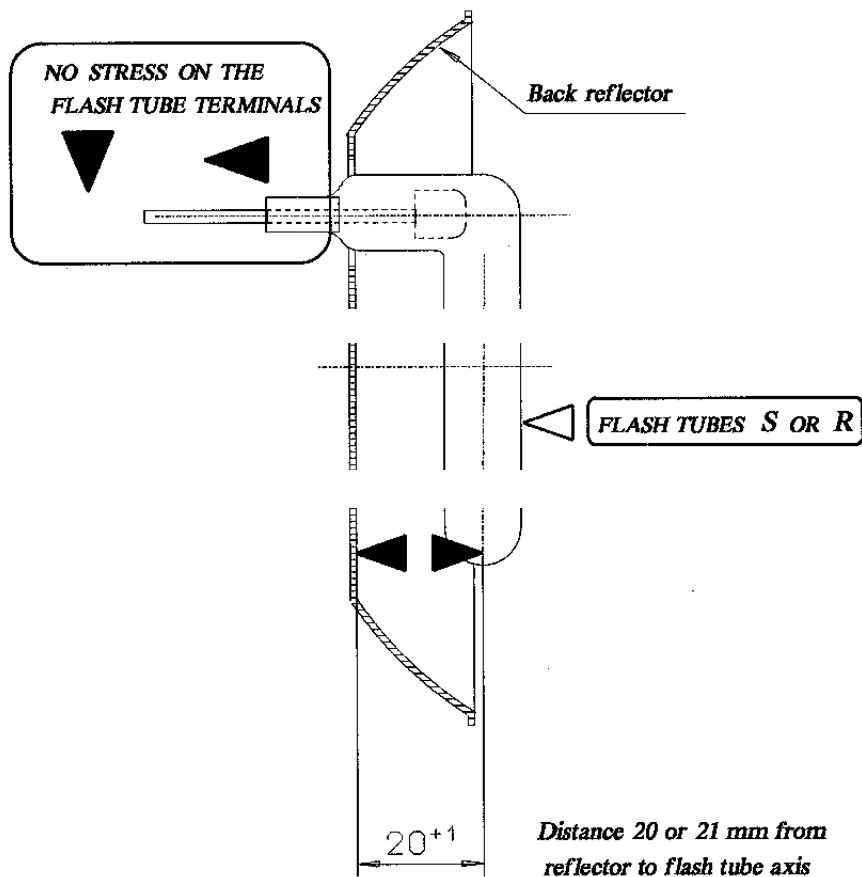
Parts	Order
Trigger coil	25001
Modelling lamps (2 x 100 W)	23002
Lamp holder E 27	112.017
Insulating for E 27 socket	112.025
Fuse holder	14651
Fuse (2 AF / 250 V)	19032
Flash tube	24052
Fan 220 V (Round first version)	107.013
Capacitor 0,68 uF 400 V (only for 107.013)	104.057
Varistor 250 V (compatible 14314)	111.061
Fan 220 V (Square new version 1992)	107.016
Switch 12 A 250 V	103.061
Opal glass plate	402.001
Transparent security plate	402.002
Lampcord complete with connector	21064
Connector 20 pM with housing complete	14043

For first version : metallic parts not available

INFORMATION

FLASH TUBE POSITION FOR ALL LAMPHEADS AND COMPACTS

*STANDARD POSITION FROM NOW ON FOR
MAXIMUM EFFICIENCY WITH LATEST REFLECTOR 21 cm
(FOR PYREX DOME)*



RE : AFTER SALES SERVICE
BETRIFFT : REPARATURDIENST
CONCERNE : SERVICE APRES-VENTES

LAMPENKÖPFE FÜR "MICRO" GENERATOREN

Seit Photokina 1986 wurden alle Lampenköpfe mit einem Widerstand (R) versehen. Dieser meldet den neuen "MICRO" Generatoren automatisch die maximale Leistung die der jeweilige Lampenkopf aufnehmen kann. Nachfolgende Liste enthält die verschiedenen Ausführungen verwendbar an "MICRO" Generatoren ohne jegliche Anpassung:

Version 1986

A2, A4, R2, R4, S2, T4, X8

Version 1988

A3000, R2000, R4000, S2000, S3000,
S4000, X8000, Box 4000,

Ältere anpassbare Lampenköpfe (ab Dezember 1979)

Lampenköpfe die vor Photokina 1986 gebaut wurden, blockieren die Ausgangsleistung des "MICRO" Generators und verhindern die Funktion der Röhre. Sie können aber durch Einbau des Widerstands angepasst werden (siehe Schema auf der Rückseite).

A, R mit Röhre 24006/2000 Ws

R mit Röhre 24048/4000 Ws

S, T, X

NB: Vor 1980 gebaute Lampenköpfe dürfen nicht an "MICRO" Generatoren angeschlossen werden.

elinca sa

Av. de Longemalle 11
CH 1020 RENENS
Switzerland

RE : AFTER SALES SERVICE
BETRIFFT : REPARATURDIENST
CONCERNE : SERVICE APRES-VENTES

Seules les torches selon la liste ci-dessous et produites dès la Photokina 1986, fonctionnent sur les générateurs de la série "MICRO". Ces torches sont pourvues d'une résistance (R) de reconnaissance, par le microprocesseur du générateur, la valeur de la résistance dépend du type de la torche.

Remarque : La connection d'une ancienne torche sans résistance à un générateur "MICRO" bloque la sortie et rend la torche inopérante

Torches utilisables sans modification sur "MICRO"

Version 1986

A2, A4, R2, R4, 82, T4, X8

Version 1988

A3000, R2000, R4000, S2000, S3000,
S4000, X8000, Box 4000

Lors d'un service au client,
contrôler systématiquement la
conformité, selon le tableau
des valeurs de résistance.

Versions antérieures adaptables

Modèles dès décembre 1979
A, R avec tube 24006/2000 Ws
R avec tube 24048/4000 Ws
S, T, X

elinca sa

Av. de Longemalle 11
CH 1020 RENENS
Switzerland

RE : AFTER SALES SERVICE
BETRIFFT : REPARATURDIENST
CONCERNE : SERVICE APRES-VENTES

LAMPHEADS FOR THE "MICRO" GENERATORS

From Photokina 1986, all lampheads for generators have been fitted with an auto-signalling resistance to indicate to the microprocessor in the new "MICRO" generators the maximum power acceptable to the lamphead. These lampheads are listed below as version 1986 and version 1988.

Version 1986

A2, A4, R2, R4, 82, T4, X8

Version 1988

A3000, R2000, R4000, S2000, S3000,
S4000, X8000, Box 4000

Lampheads manufactured before Photokina 1986 will signal "malfunction" to the Microprocessor. These models, listed below, may be adapted by fitting the appropriate resistance into the connector (see overleaf).

A, R with tube 24006/2000 Ws
R with tube 24048/4000 Ws
S, T, X

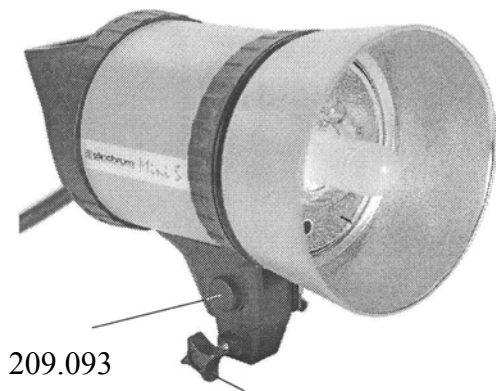
N.B.: No lampheads manufactured before 1980 may be used with "MICRO" generators.

elinca sa

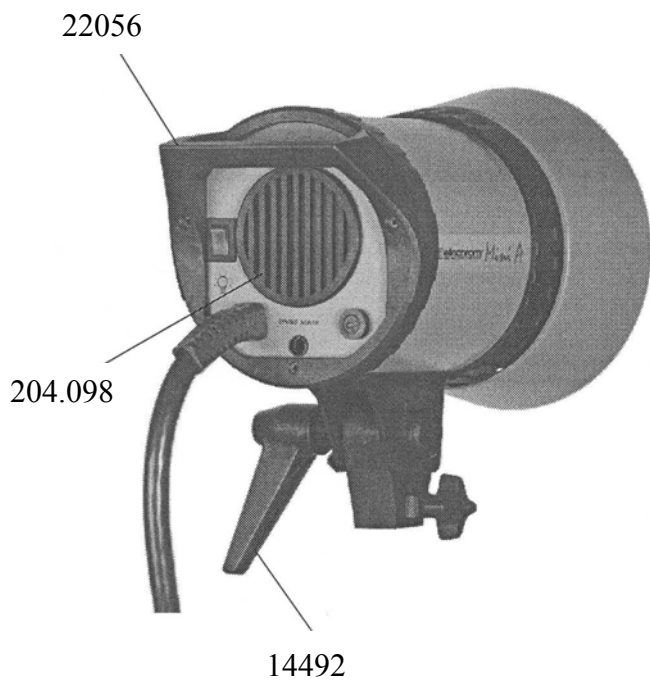
Av. de Longemalle 11
CH 1020 RENENS
Switzerland

LAMPHEADS

Mini 5 - Mini A and Mini R



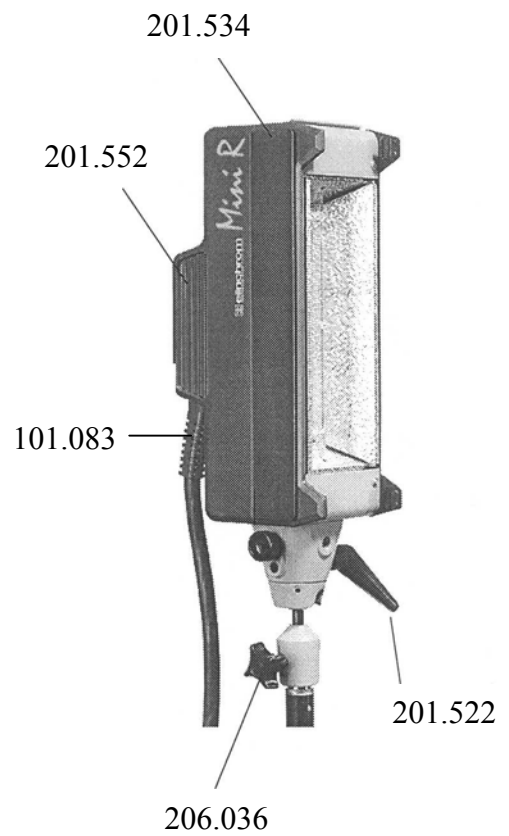
209.093



22056

204.098

14492



201.534

201.552

101.083

206.036

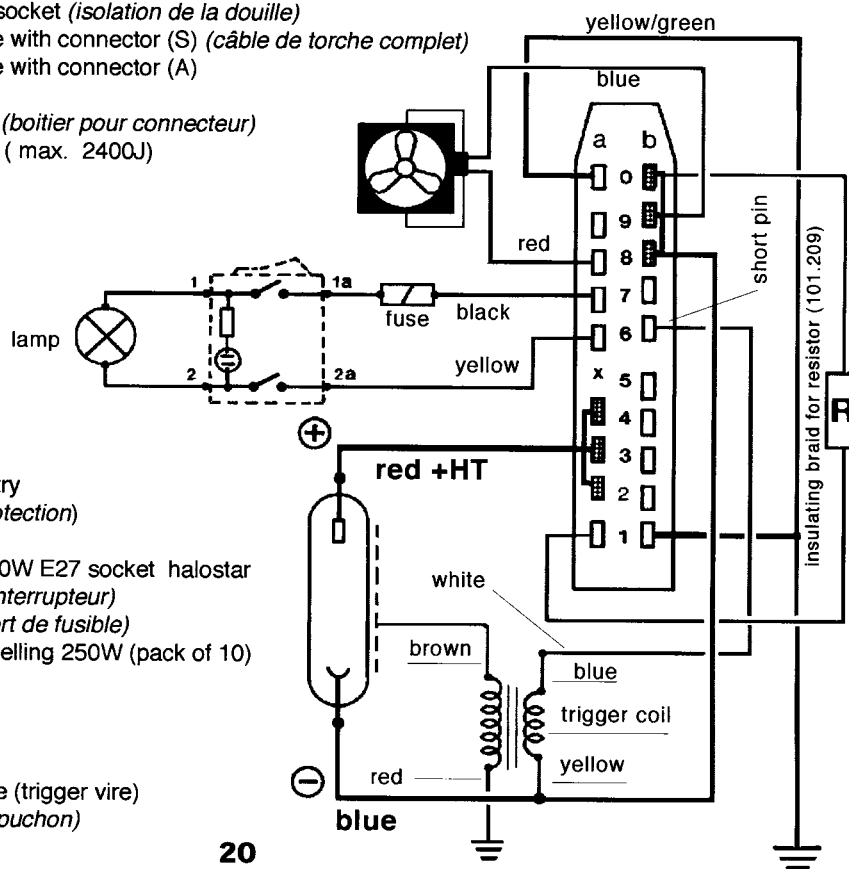
201.522

Schematic diagrams and parts list

DESCRIPTION Mini A - Mini S (220 V VERSION)

Part N°	DESCRIPTION
20104	Lamphead complete Mini A
20106	Lamphead complete Mini S
223.001	Metal chassis
223.002	Housing without label for A and S (<i>chemise sans étiquette</i>)
205.178	Label Mini A (<i>étiquette "Mini A" pour chemise</i>)
205.177	Label Mini S
22056	Rear handle (<i>poignée arrière</i>)
211.601	Screw M3x8 for handle
211.602	Screw M3x12 for handle
901.201	Tilthead
204.132	Fixe part (<i>partie fixe</i>)
201.656	Mobile part (<i>partie mobile</i>)
14492	Plastic level (<i>poignée de serrage plastique</i>)
209.093	Bolt M8 for handle (<i>goujon M8 pour poignée</i>)
201.295	Locking universal metal plate for umbrella (<i>plaque de fixation du parapluie</i>)
22055	Set front ring + locking device (ensemble de bagues, verrouillage + baïonnettes)
211.207	Screw for front ring M3x20
22054	Front locking (<i>bague de verrouillage</i>)
204.090	Front ring bayonet (<i>bague à baïonnettes</i>)
212.203	locking spring (<i>ressort de verrouillage</i>)
620.082	Umbrella tube (<i>tube parapluie</i>)
14594	Ring for umbrella tube (<i>anneau plastique pour tube parapluie</i>)
14209	Set Terminal for flashes tube (510.020) (5 (pack of 6) (<i>ensemble de 6 bornes</i>))
14212	Trigger wire diam. 0.4 (101.124) (pack of 2 m length) (<i>2 m de fil d'amorçage</i>)
25001	Trigger coil (<i>bobine d'amorçage</i>)
101.077	Nylon attachment for coil (<i>attache nylon "bride"</i>)
107.022	Fan (<i>ventilateur</i>)
204.098	Fan guard (<i>grille de protection</i>)
112.017	Lamp holder E27 (<i>douille de lampe</i>)
223.005	holder for terminal and socket lamp (<i>support isolant pour bornes</i>)
112.025	Insulating for E 27 socket (<i>isolation de la douille</i>)
501.045	Lampcord complete with connector (S) (<i>câble de torche complet</i>)
501.046	Lampcord complete with connector (A)
22046	Connector 20 pM
110.053	Connector housing (<i>boitier pour connecteur</i>)
205.179	Label for connector (max. 2400J)

101.083	Protective cable entry (<i>passé-câble de protection</i>)
21003	Cable 8 conductors
23018	Modelling lampe 250W E27 socket halostar
103.061	Switch 12A/230V (<i>interrupteur</i>)
14651	Fuse Holder (<i>support de fusible</i>)
19033	Fuse 2.5 AF for modelling 250W (pack of 10)
223.006	Inner reflector A
223.007	Inner reflector S
24053	Flash tube A head
24034	Flash tube S head
219.119	Insulating glass tube (trigger wire)
26124	Protective hood (<i>capuchon</i>)

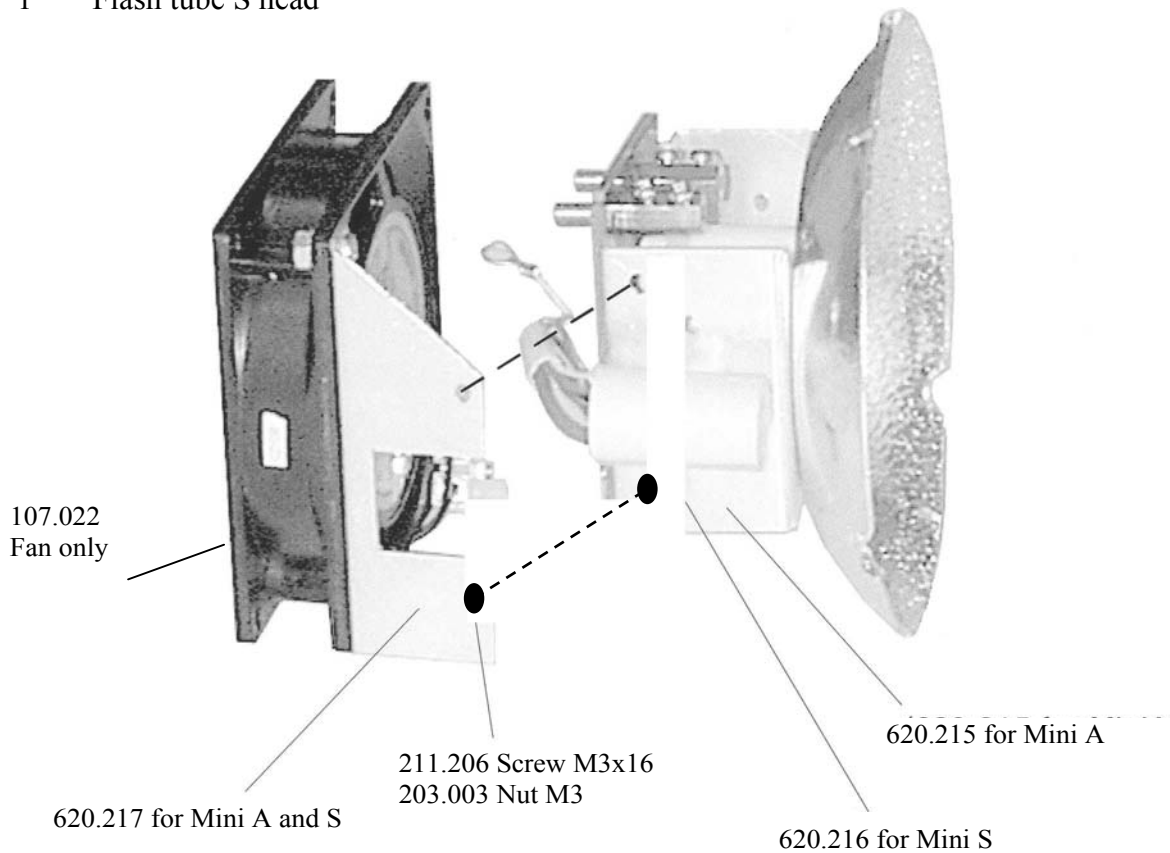


Upgrade of the Mini1500 head to Mini A or Mini S (220V VERSION)

Transformation des torches Mini 1500 en Mini A ou Mini S

Lampenkopf Veränderungen

Part.	Qty	Description
223.002	1	Housing without label (<i>boîtier sans étiquettes</i>)
205.177	2	Label Mini S (<i>étiquette Mini S</i>)
205.178	2	Label Mini A (<i>étiquette Mini A</i>)
620.217	1	Complete Fan (<i>ventilateur monté avec équerre et borne de raccordement</i>)
620.216	1	Front part complete Mini S (<i>partie avant complète</i>)
620.215	1	Front part complete Mini A
211.204	2	Screw M3x10 (<i>vis d'assemblage du ventilateur sur la partie avant</i>)
203.031	2	Nut M3
620.082	1	Umbrella tube with protected wire (<i>tube parapluie avec fil de mise à terre</i>)
205.179	1	Label for connector (<i>étiquette pour connecteur</i>)
121.101	1	Recognition resistor 100E for S head
121.221	1	Recognition resistor 220E for A head
24053	1	Flash tube A head
24034	1	Flash tube S head



RECTANGULAR LAMPHEAD Mini R 220 V VERSION

Part N°	DESCRIPTION
20158	Lamphead complete
520.004	Metal chassis (<i>châssis</i>)
625.092	Universal stand mounting complete (tilthead) (<i>fixation universelle à rotule</i>)
201.522	Plastic level for tilthead (<i>poignée de serrage</i>)
206.036	Star srew M6x17 (vis étoile)
201.552	Plastic housing left + right parts (<i>jeu de plaques laterales sérigraphiées</i>)
620.307	Reflector complete with fan and socket (<i>prémontage de la partie avant, calotte, ventilateur</i>)
620.309	Insulating socket for halogene and flash tube (<i>pièce isolante supportant la borne 201.507</i>)
201.507	SAV Terminal for flash tube with screws (complete) (<i>borne de fixation du tube flash</i>)
212.102	Ball "sealing" of lead, 3 mm for electrical contact (<i>bille de plomb de 3 mm pour contact électrique</i>)
107.013	Fan 220 V (<i>ventilateur</i>)
620.201	Print assembly (<i>support de bornes assemblé</i>)
111.061	Varistor 250 V
104.057	Capacitor 0,68 uF/400V
25001	Trigger coil M6 (<i>bobine d'amorçage</i>)
101.077	Nylon strap for trigger coil
106.035	Protective gap (<i>éclateur</i>)
106.037	Thermal switch 110/90°
520.003	Trigger nickel flat wire (<i>fil d'amorçage</i>)
14651	Holder fuse (<i>support de fusible</i>)
19035	Fuse 4 A for lamp 500W (pack of 10)
103.061	Switch 12 A 250 V (<i>interrupteur</i>)
21060	Lampcord complete with connector (<i>câble de torche complet</i>)
14043	Connector 20 pM with housing complete
22046	Connector 20 pM only (short pins 112.062) (<i>connecteur 20pM seul</i>)
110.053	Connector housing L + R parts (<i>boitier pour connecteur</i>)
21002	Cable 8 conductors
101.083	Protective cable entry (<i>passer-câble de protection</i>)
121.221	Coding resistance 1W 1%
14211	Insulating braid for resistor (101.209) (pack of 0,5 meter)
23029	Modelling halogene lamp 500W socket R7S (<i>lampe halogène rectiligne de 500W</i>)
24019	Flash tube
209.019	Insulating tube (glass) for trigger flat wire

